



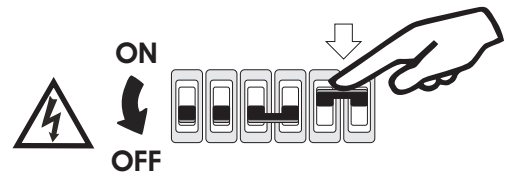
General notes and precautions

Before first use.

- Make sure to read thoroughly all the instructions before using the luminaire.
- In case that you do not understand any of the instructions or have any doubt for the installation or operation of the luminaire, please consult your supplier.
- The installation of the product must be done by a specialized technician.

Installation.

- The luminaire must not be installed, in any case, on flammable areas.
- Do not install the luminaire near any kind of heating source.
- All connections and wiring of the luminaire are IP67 or IP68 graded (depending on the model)
It is the installer's responsibility to ensure that all connections are properly executed in order to maintain that IP grade.
- Make sure that **the power supply is turned off** during the installation procedure.



Mechanical.

- Make sure that luminaire is properly installed, safely mounted and connected.
- When needed, the replacement of the tube or any other accessories must be done using authentic spare parts only and from authorized technicians.

Electrical.

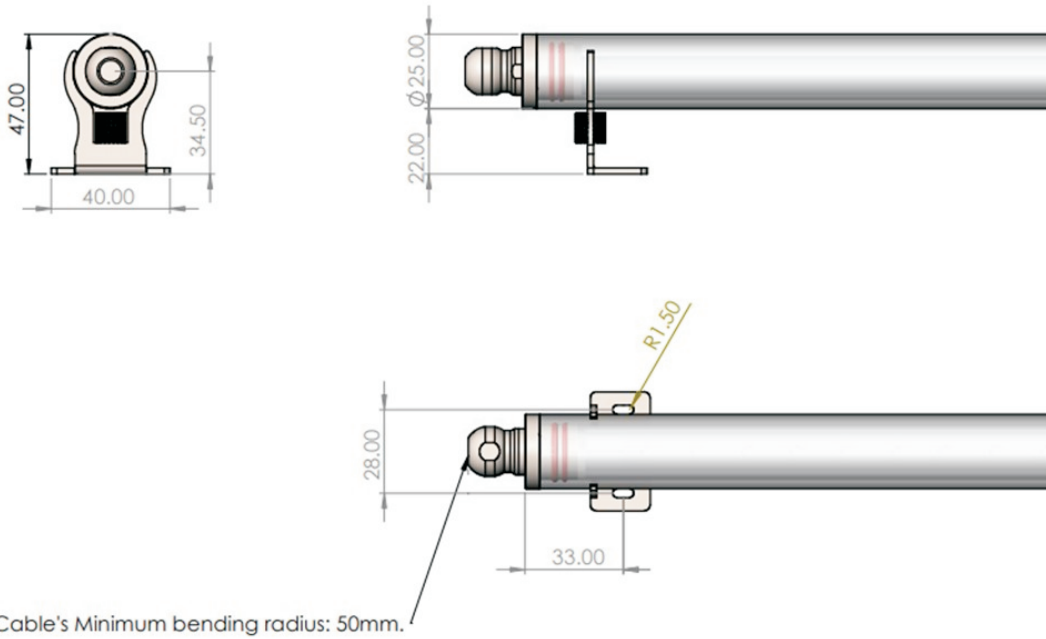
- The luminaire must be connected only by a qualified electrician.
- The supply input of multichannel Lumitube models (RGBW, Tunable white) is common anode and the appropriate power supply and controller should be used.
- Dimming can be accomplished by PWM (up to 4kHz) on power supply input.
- Lumitube are class III devices.
- Disconnect the power supply for any service.

General.

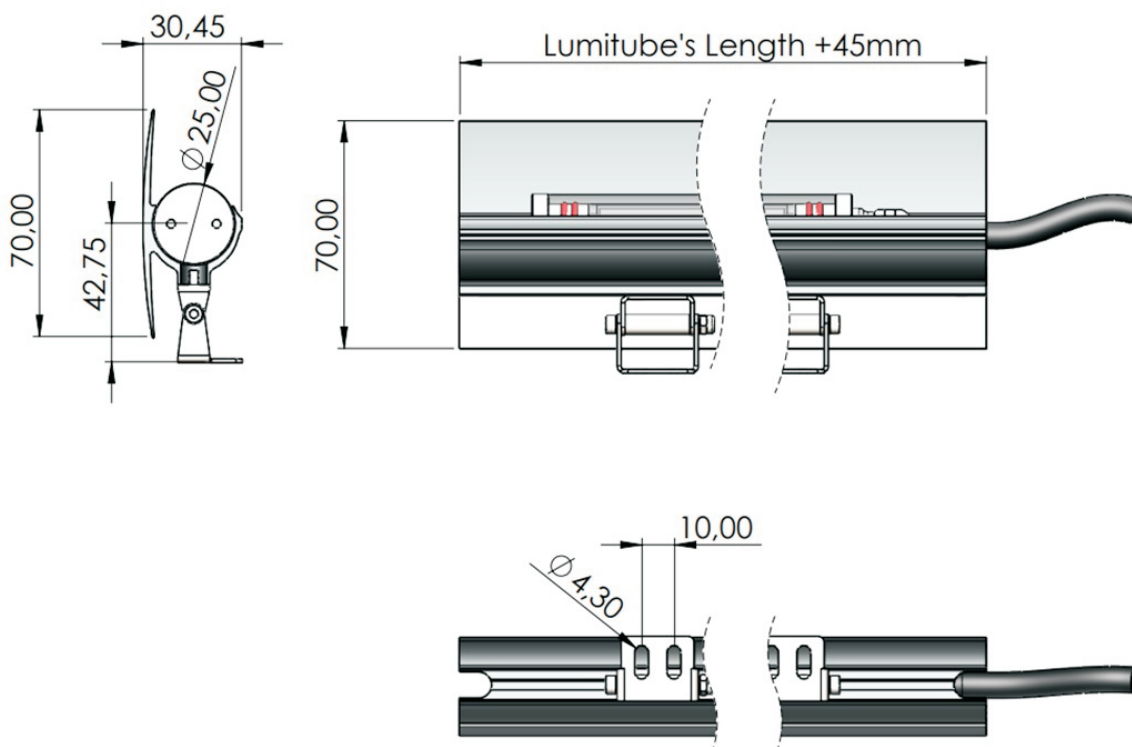
- Do not look directly to the Lumitube light source when it's turned on.
- Do not try to fix any damage or malfunction, by opening the luminaire.
This must be done by an experienced and specialized technician of your supplier.
- The luminaire should be cleaned only with a soft cloth and water.
- The manufacturer is not responsible for any injury or damage that will occur from the improper installation or use of the product.
- The safety of this fixture is guaranteed only if you comply with the following instructions.
- Make sure that all the local laws and regulations are followed during the installation procedure.
- Remember to conserve these instructions in a safe place.
- At the end of its lifetime Lumitube must be delivered in a special waste collection center.
The improper disposal can cause damages for the environment and poses dangers for the human health.

Physical Information

LUMITUBE IP67 / IP68



LUMITUBE AG (Antiglare) IP67 / IP68



Installation

1

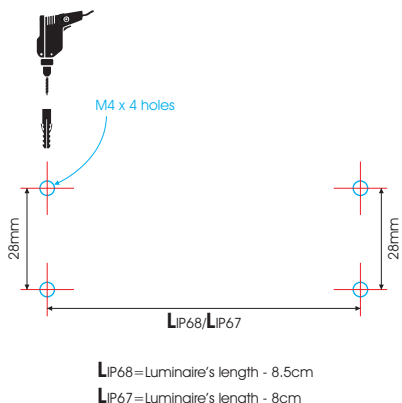
Attention

Before any maintenance switch off the power at the mains.

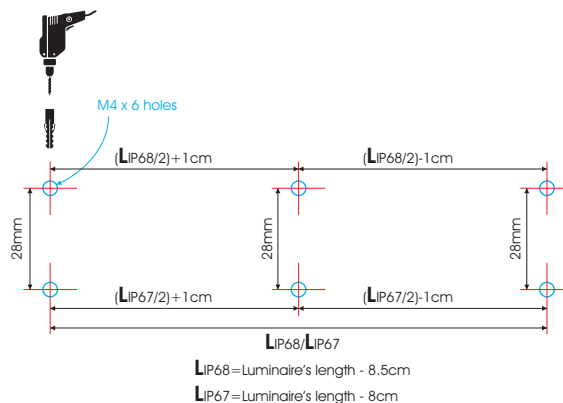


2

a. Open M4 x 4 holes for luminaire length up to 1.19m.

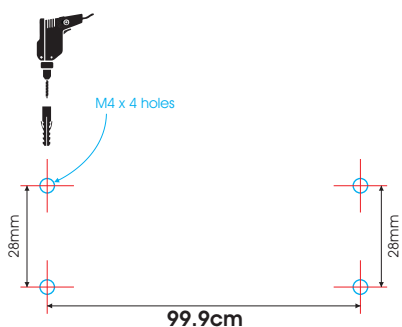


b. Open M4 x 6 holes for luminaire length > 1.19m.

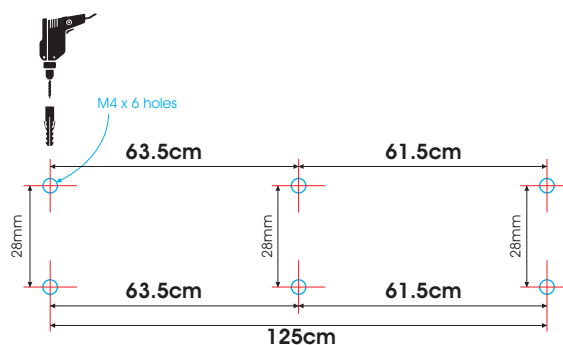


3

a. Drilling holes example with **LUMITUBE IP67-21W-107.9cm**



b. Drilling holes example with **LUMITUBE IP68-26.3W-133.5cm**



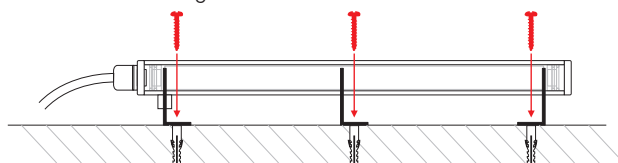
4

Insert the luminaire through its holders and screw the holders with M4 screws. **Caution: Only 1 "knurled nut" holder must be installed per luminaire!**

a. For luminaire length up to 1.19m



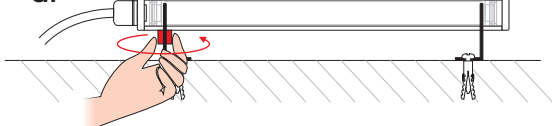
b. For luminaire length > 1.19m



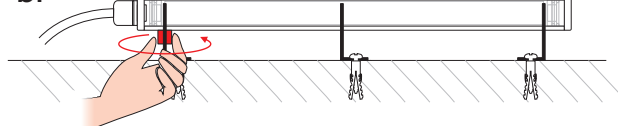
5

Adjust the lighting surface of the luminaire at the desired angle and lock the luminaire in the position by unscrewing the "knurled nut" of the first holder from the left.

a.

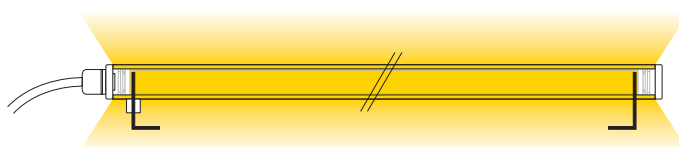
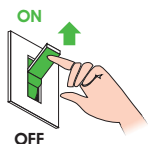


b.



6

Ready to use.



Antiglare Standard & Wall Bracket Installation

Antiglare

Antiglare accessory (as extra)



Brackets*

*One set of brackets for every 2m.

Wall Brackets

Fixed 5,10,20,30cm Wall brackets INOX-316 (Set of 2) (as extra)



Ground Bracket

INOX-316 (Set of 2) (as extra)

